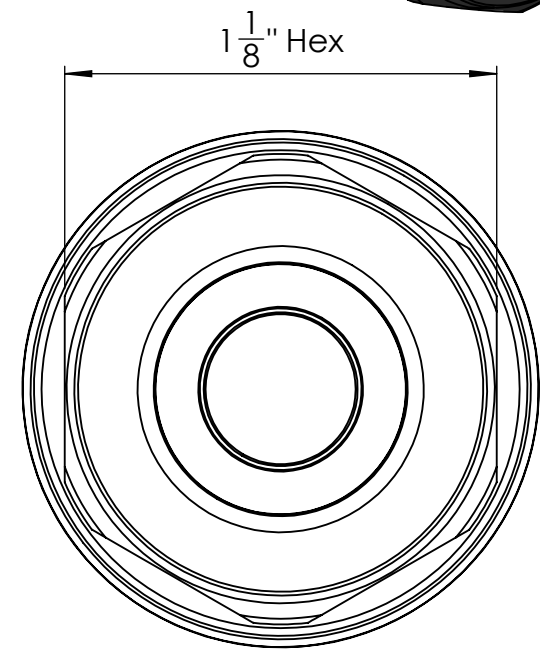
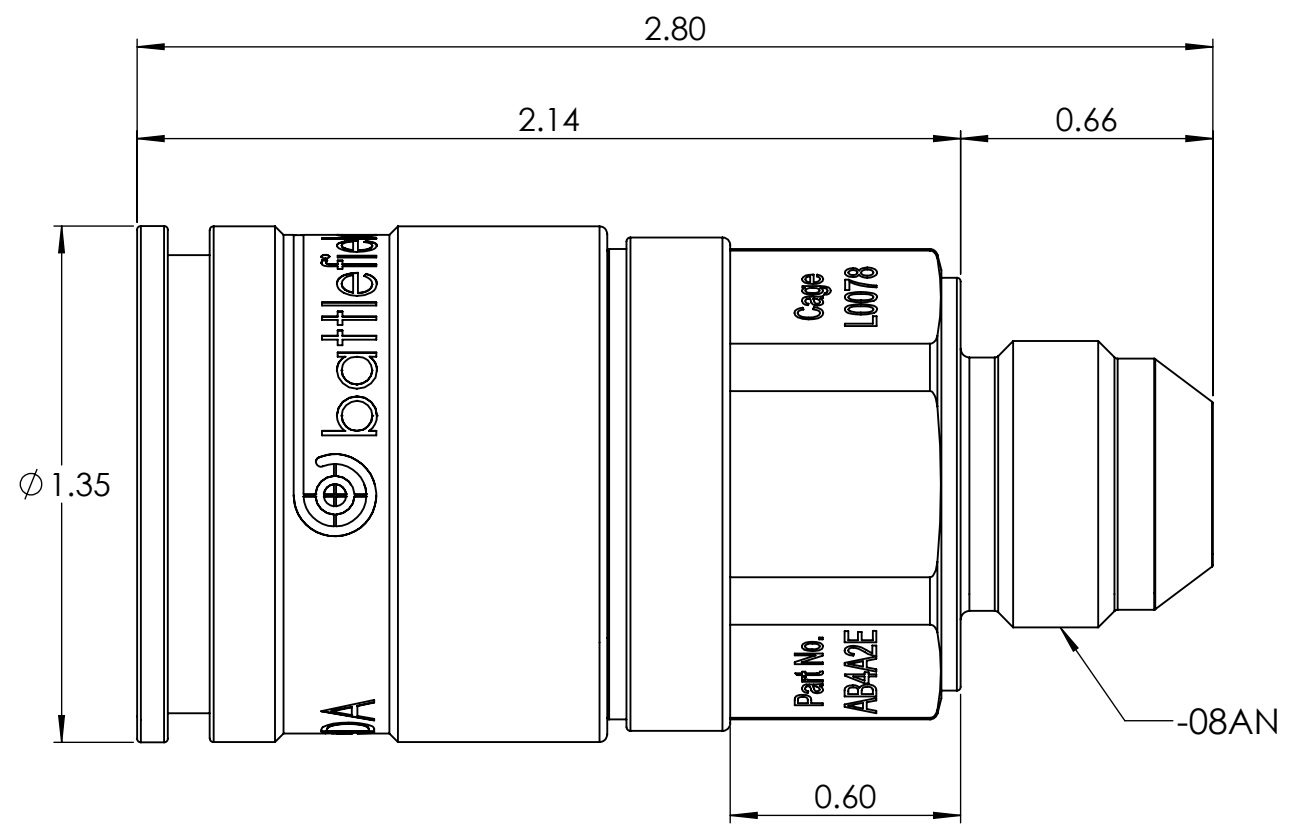


8 7 6 5 4 3 2 1

D
C
B
A



D
C
B
A



1664 KOHLER ROAD
CAYUGA, ONTARIO CANADA N0A 1E0
www.battlefield.biz

Cage Code
L0078

PROPRIETARY AND CONFIDENTIAL

THE INFORMATION CONTAINED IN THIS DRAWING IS THE SOLE PROPERTY OF BATTLEFIELD INTERNATIONAL INC. ANY REPRODUCTION IN PART OR AS A WHOLE WITHOUT THE WRITTEN PERMISSION OF BATTLEFIELD INTERNATIONAL INC. IS PROHIBITED.

UNLESS OTHERWISE SPECIFIED:

DIMENSIONS ARE IN INCHES
TOLERANCES:
FRACTIONAL ±
ANGULAR: MACH ±
TWO PLACE DECIMAL ±
THREE PLACE DECIMAL ±

INTERPRET GEOMETRIC TOLERANCING PER:

MATERIAL

FINISH

DO NOT SCALE DRAWING

COMMENTS:

TITLE: LS08 Coupler, -08AN End, Hydraulic

PART NO: AB4A2E

ORDER NO: AB4A2E

SIZE	DWG. NO.	REV
B	X	-

Scale:2:1 WEIGHT: SHEET 1 OF 1

8 7 6 5 4 3 2 1