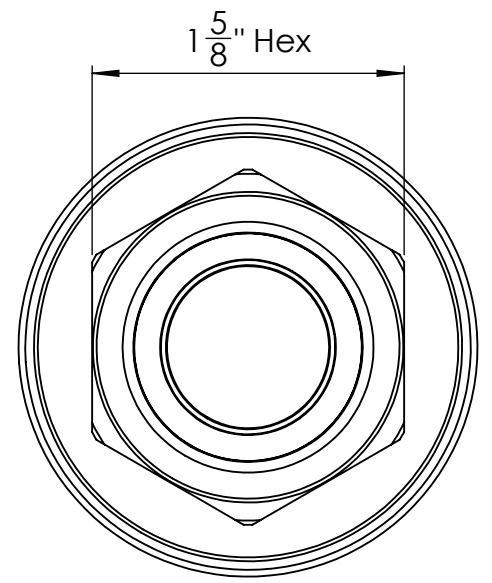
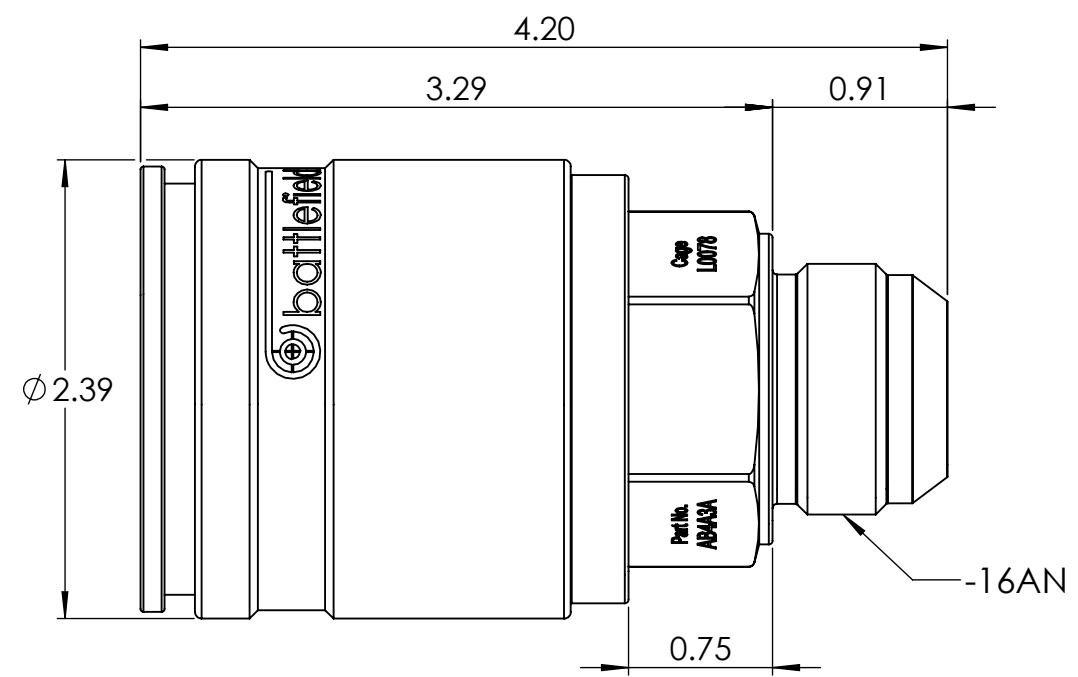


8 7 6 5 4 3 2 1

D  
C  
B  
A

D  
C  
B  
A



1664 KOHLER ROAD  
CAYUGA, ONTARIO CANADA N0A 1E0  
www.battlefield.biz

Cage Code  
**L0078**

**PROPRIETARY AND CONFIDENTIAL**

THE INFORMATION CONTAINED IN THIS DRAWING IS THE SOLE PROPERTY OF BATTLEFIELD INTERNATIONAL INC. ANY REPRODUCTION IN PART OR AS A WHOLE WITHOUT THE WRITTEN PERMISSION OF BATTLEFIELD INTERNATIONAL INC. IS PROHIBITED.

UNLESS OTHERWISE SPECIFIED:

DIMENSIONS ARE IN INCHES  
TOLERANCES:  
FRACTIONAL ±  
ANGULAR: MACH ±  
TWO PLACE DECIMAL ±  
THREE PLACE DECIMAL ±

INTERPRET GEOMETRIC TOLERANCING PER:

MATERIAL

FINISH

DO NOT SCALE DRAWING


COMMENTS:

TITLE: LS16 Coupler, -16AN End, Coolant

PART NO: **AB4A3A**

ORDER NO: **AB4A3A**

SIZE	DWG. NO.	REV
<b>B</b>	<b>X</b>	<b>-</b>

Scale:1:1 WEIGHT: SHEET 1 OF 1

8 7 6 5 4 3 2 1